



HERION & RAU  
Fluidtechnik GmbH

# Screw-in Pressure Switch SW24 Series HDL

Electromechanical Pressure Switch

Switching point adjustable: 10 ... 320bar

Hydraulics



90081.1009

Zeppelinstraße 6  
D-71083 Herrenberg

fon +49 (0) 7032/2017-0  
fax +49 (0) 7032/2017-199

kontakt@bar-control.de  
www.bar-control.de

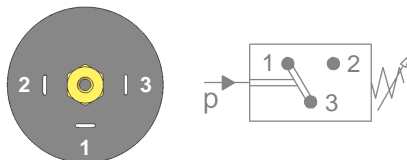
## Features

Screw-in Pressure Switches SW24 series HDL are electromechanical signal converters that are changing the pressure of fluids into electrical signals. The switching point within different pressure setting ranges is being factory-set. Optional the pressure setting is adjustable by the user. Screw-in pressure switches series HDL are designed for use in fluid-technical-systems under normal environmental conditions. The Pressure Switch operates as a piston operated pressure switch and different gradings up to max. 320bar setting range are adjustable. The specific design of the HDL, laid-out as changer, enables overhanging electric performance characteristics. Based on this the HDL is applicable reliably for voltages up to max. 50V with a switching current up to 4A but also for small currents and voltages of 5V with minimum 5mA. The units have a flat plug 6,3x0,8 available. Optional a protection cap made of NBR is available.



## Contact Arrangement / Circuit Symbols

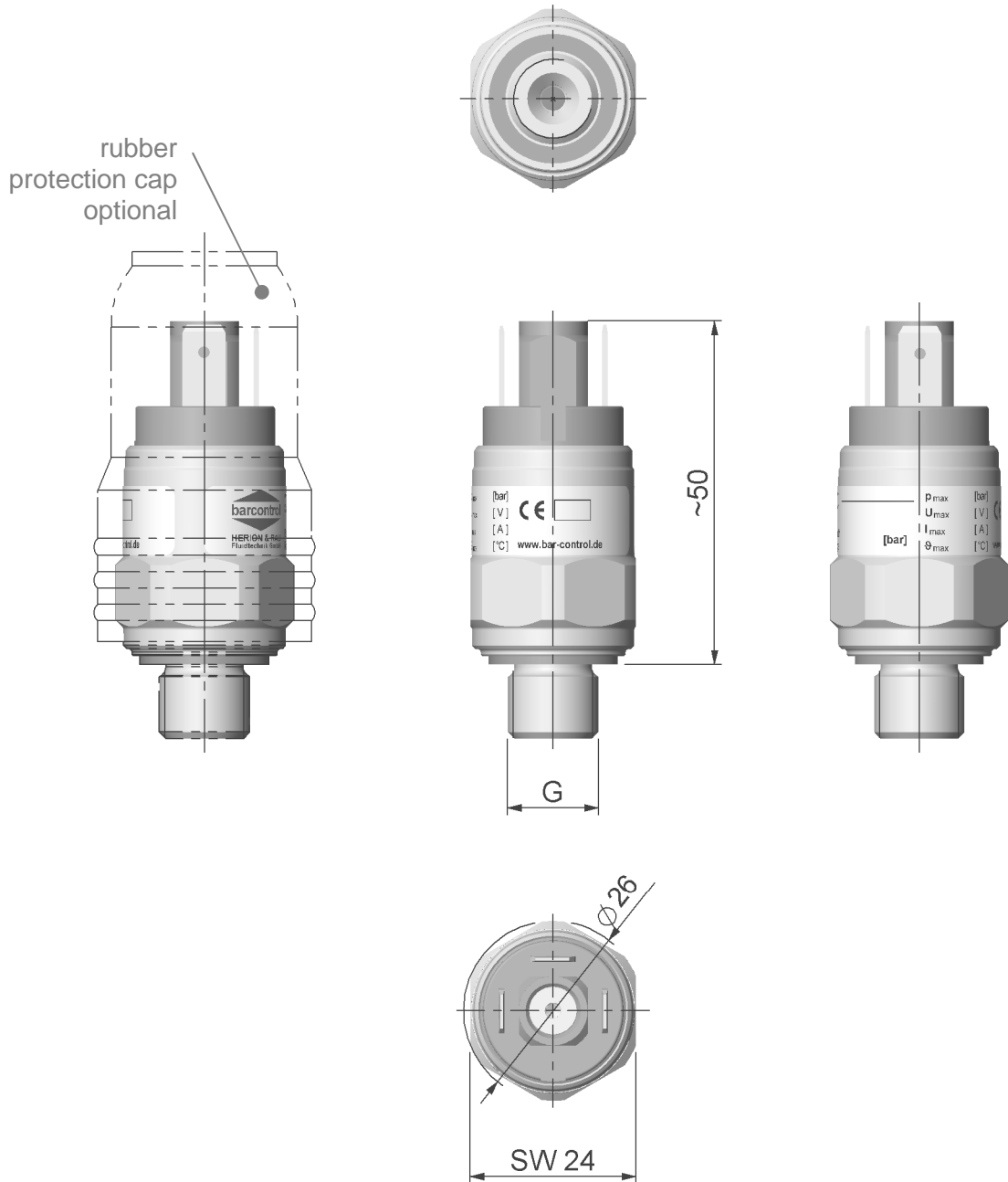
Flat plug 6,3x0,8mm



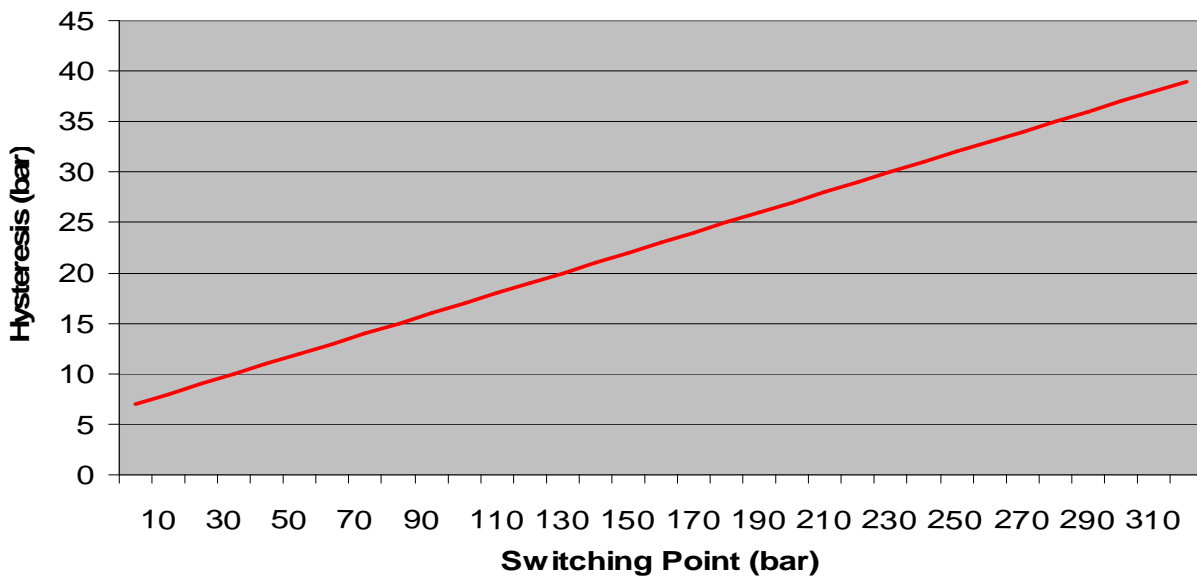
## Technical Data

Operating fluid:	self-lubricating fluid like for example hydraulic oil, lubricating oil
Type of mounting:	by fluid connection
Fluid connection:	external thread G <sup>1</sup> / <sub>8</sub> “, G <sup>1</sup> / <sub>4</sub> “, M10x1, 1/8NPT, 1/4NPT, other on request
Mounting position:	optional, seal included
Operating pressure range:	10bar...30bar; 10...80; 10...120; 10...160; 20...200; 20...250; 30...320bar (each with max. system pressure 350bar)
Repeatability:	±2% relating to operating range maximum value
Switching pressure difference:	see diagram switching pressure difference page 4
Max. switching frequency:	100/min
Temperature range:	-20°C up to +80°C
Vibration resistance:	10g (10 ... 2000Hz)
Shock resistance:	30g
Electrical connection:	flat plug 6,3 x 0,8 mm
Switching element:	change-over switch with catch spring as switching element and self-cleaning contacts
Operating current and voltage at operating category:	AC12 acc.to VDE0660 (EN60947): 4A at 50VAC AC14 acc.to VDE0660 (EN60947): 1A at 50VAC DC12 acc.to VDE0660 (EN60947): 2A at 28VDC DC14 acc.to VDE0660 (EN60947): 0,5A at 28VDC
CE-Certification:	acc.to EU standard 73/23/EWG
Protection category :	IP00 acc.to DIN EN 60529
Material:	housing: steel – zinc coated, other on request sealings: PTFE / Perbunan
Weight:	0,100 kg

## Dimensions



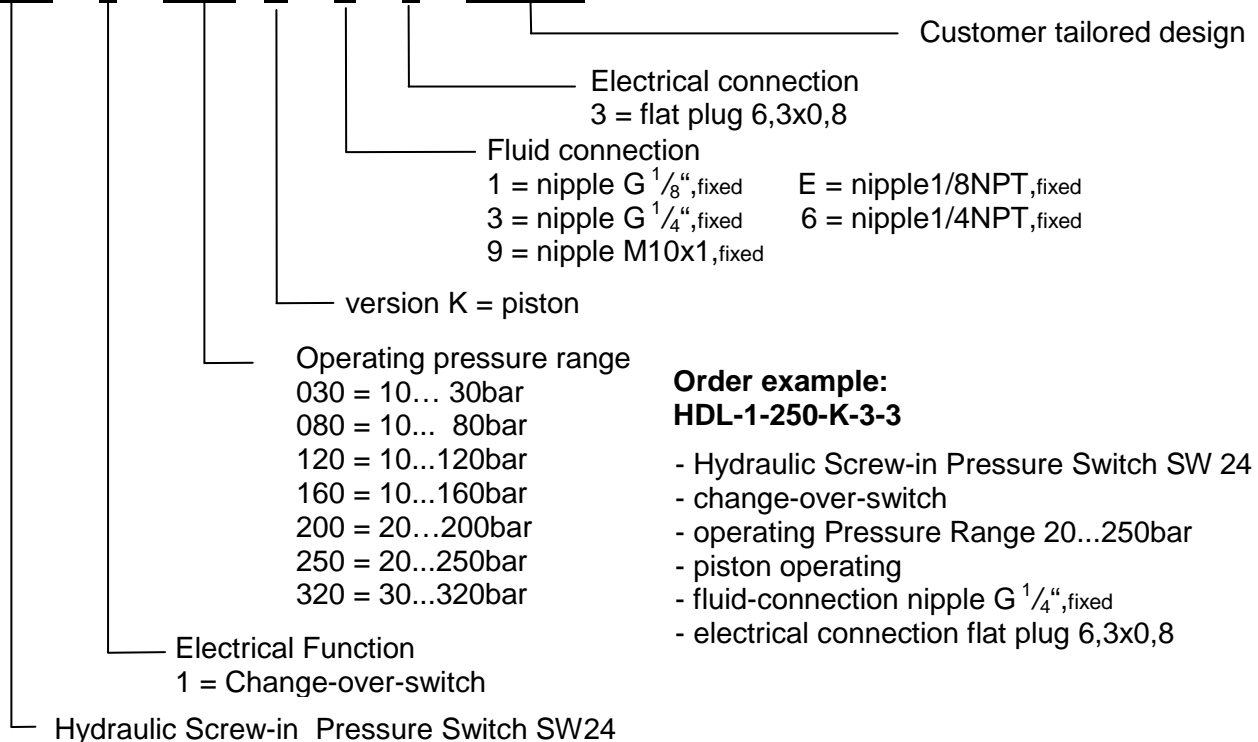
## Switching Pressure Difference



**Example:** At a switching point of 100bar the switching pressure difference (Hysteresis) is 18bar (guiding value).

## Order Code

**HDL - 1 - XXX - K - X - 3 - GE XXX**



**Order example:  
HDL-1-250-K-3-3**

- Hydraulic Screw-in Pressure Switch SW 24
- change-over-switch
- operating Pressure Range 20...250bar
- piston operating
- fluid-connection nipple G 1/4",fixed
- electrical connection flat plug 6,3x0,8

## Accessories

Rubber protection cap: Order-number: 102296

Specifications are subject to change without notice.